

Data sheet light Citygrid Zhaga Controller S

P/N D21018



The Citygrid Zhaga controller S is the all-in-one device which, at an instant, makes a luminaire intelligent and motion controlled.

ELECTRICAL CHARACTERISTICS – INPUT			
Name	Value	Unit	Condition
Universal input voltage	24	V _{dc}	± 10% (typically powered by LED driver).
Power consumption	< 0,5	W	Always active, no sleep mode.

DIMMING			
Name	Value	Unit	Condition
Dimming range	0...100	%	Minimum level dependent on the LED Driver.
Dimming type	DALI		

INTERFACES	
Name	Value
DALI-2	Certified. Parts 101 and 103.
D4i	Certified as a Type D device. The controller is able to read the D4i memory banks from control gear.
Zhaga connector	Zhaga Book 18

WIRELESS COMMUNICATION

Specification item	Value	Unit	Condition
Gateway ratio	1:250	Control unit	Citygrid Gateway MKII P/N D22006/D22007
Max units per site*	500	Control unit	
Frequency Range	868,3 / 918,0	MHz	The frequency is set when running the Producer App to match European / Australian regulation.
Recommended distance between units	<50	m	Theoretical communication distance
Maximum Range**	200	m	

*Adjacent sites can communicate motion events.

** Maximum range under ideal conditions such as RF matching, line of sight, maximum power. Actual results may vary depending on the customer's design.

PROTECTION

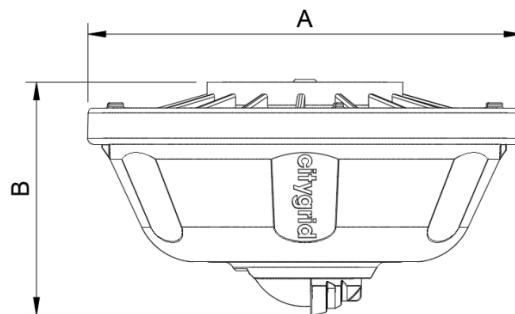
Specification item	Value	Unit	Condition
Required external fuse	<1	A	
IP rating	IP66		
IK rating	IK09		Excluding the lens.

TEMPERATURE & HUMIDITY

Type	Value	Unit	Condition
Operational temperature	-30 to +60	°C	Ambient
Storage temperature	-40 to +80	°C	Ambient
Relative humidity	10 to 90	%	Noncondensing. For use up to 2000m above sea level.

DIMENSIONS & WEIGHT

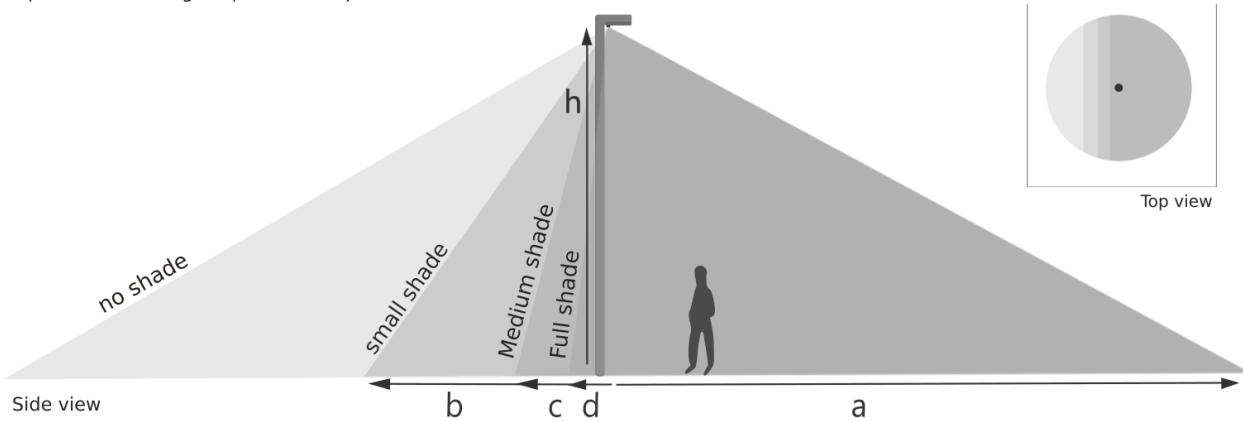
Item	Value	Unit	Comment
A	86	mm	Diameter
B	46	mm	Height
Weight	0,085	kg	



MOTION DETECTION			
Details	Value	Unit	Condition
Detection technology	PIR		
Recommended installation height	4 to 8	m	

DETECTION AREA				
Height h	Radius a	Length b (partial shade)	Length c (medium shade)	Length d (full shade)
4	6	2	1	< 0.5
5	7	3	1.5	< 0.5
6	8	4	2	0.5
7	9	5	2.5	< 1
8	10*	6	3	< 1

*For pedestrians. For larger objects a = <12 m)



CAUTION

- Avoid touching live parts.
- Do not use the product with damaged housing or connectors.
- The product should only be installed by a trained or qualified person.

