

Data sheet light

Motion Sensor Angle

P/N D25205/D25206

The data sheet light contains limited information on the product. See the full data sheet for more information.



ELECTRICAL CHARACTERISTICS - INPUT

Name	Value	Unit	Condition
Universal input voltage	3,3	V _{dc}	± 10% (typically powered by InFix24)
Power consumption	< 2	mW	

INTERFACES

Name	Value	Condition
Citygrid InFix24 Controller	Powered by the InFix24 Controller	

PROTECTION

Specification item	Value	Unit	Condition
IP rating	IP64		
IK rating	IK07		Top and side impact, excluding sensor lens

TEMPERATURE & HUMIDITY

Type	Value	Unit	Condition
Operational temperature	-20 to +60	°C	Ambient
Storage temperature	-30 to +80	°C	Ambient

MOTION DETECTION

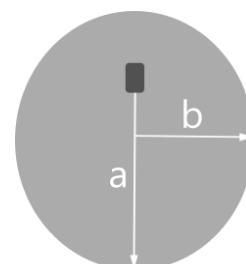
Details	Value	Unit	Condition
Detection technology	PIR		Patent pending Analog detection algorithm
Recommended installation height	4 to 8	m	

DETECTION AREA			
Height h	Length a	Length b	Unit
4	9,2	5,7	m
5	9,2*	7,2	m
6	8,7*	8,0	m
7	8,0*	8,0*	m
8	7,1*	7,1*	m

*The maximum detection range from the sensor is 10 meters. When the sensor is mounted at 5 meters or higher, the detection area at ground level shrinks slightly due to the sensor detection range. In those cases the detection lengths are measured 1 meter above the ground instead of at ground level.

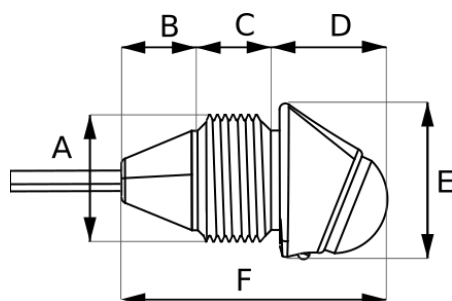


Detection area



Top-down view of detection area

DIMENSIONS & WEIGHT			
Item	Value	Unit	Comment
A	20	mm	
B	14	mm	
C	13	mm	
D	18	mm	
E	26	mm	
F	45	mm	
Weight	0,23	kg	65cm cable version



CAUTION

- Avoid touching live parts.
- Do not use the product with damaged housing or connectors.
- Do not service when the mains voltage is connected. This includes connecting or disconnecting the LED driver.
- The product should be installed by a trained or qualified person.

